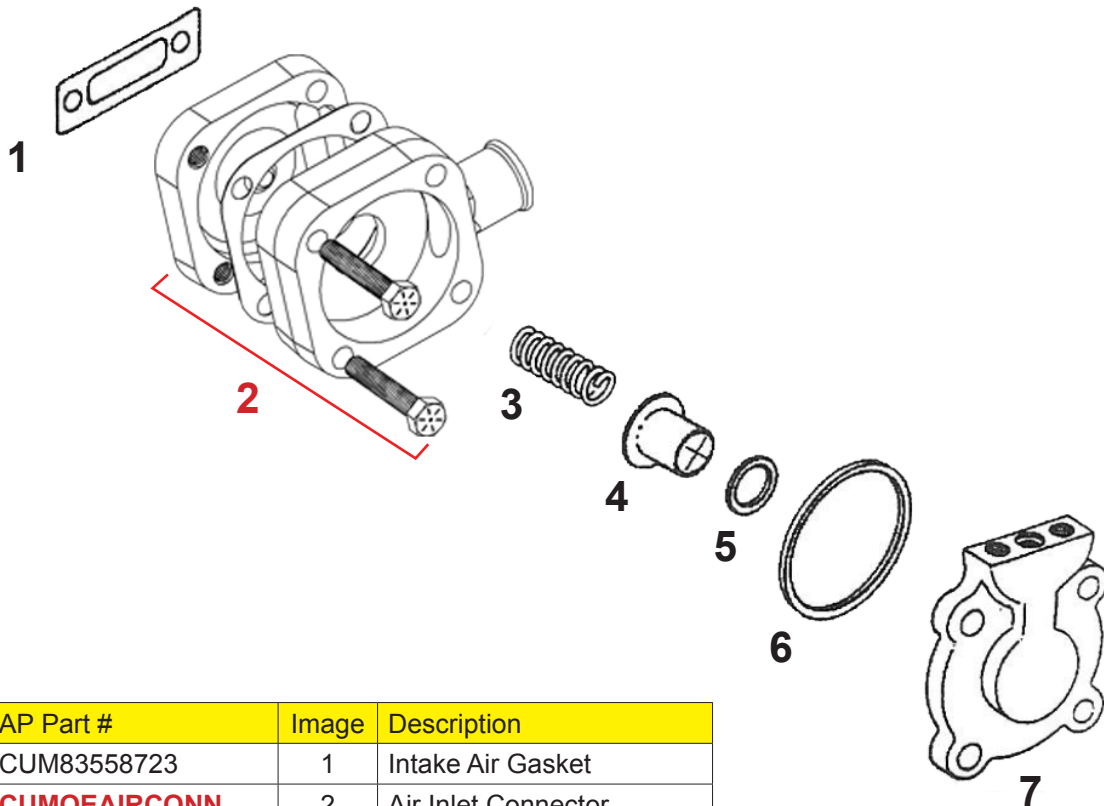


NEW PRODUCT BULLETIN

INTRODUCING OUR NEW UNIVERSAL HOLSET QE STYLE AIR INLET CONNECTOR.

PART# CUMQEAIRCONN

Replaces: 3558830, 3558832, 3558896 & 3558917



AP Part #	Image	Description
CUM83558723	1	Intake Air Gasket
CUMQEAIRCONN	2	Air Inlet Connector
CUM83049553	3	Unloader Spring
CUM8184240	4	Unloader Cap
CUM8127936	5	Vee Seal
CUM83043995	6	Unloader O-Ring
CUM83558828	7	Unloader Body

Our inlet air connector is a universal two piece design that allows you to rotate the base and upper section to make multiple part numbers. Our kit comes with the base, upper section, gasket, and 2 bolts for assembly. This new item is in stock along with all the items listed in the table. The two long mounting bolts must be reused from your old compressor.